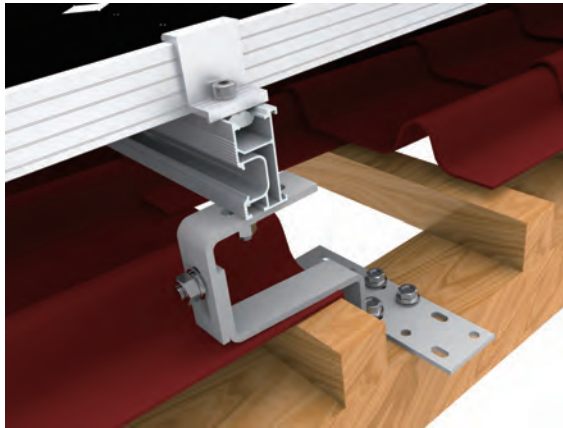


## Adjustable S Tile Mount



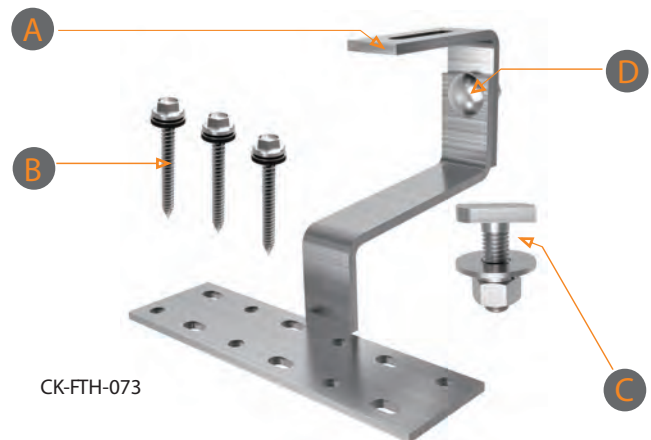
CHIKO Adjustable S Tile Hook can be adjusted horizontally and vertically, which extend the chance where regular S tile hook can't be used.

### Features

- Enables simple, fast and cost-effective installation
- Made of SUS 304
- Highly corrosion resistant surface treatment
- Fasteners and rail nut fully figured to save extra parts purchasing

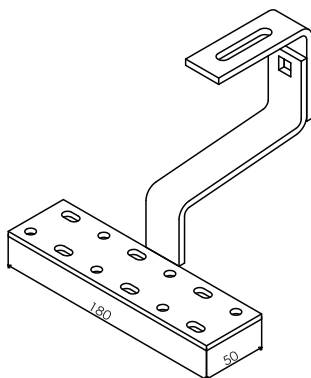
### Component List

Component List	qty
(A) Stainless steel 304 hook	1
(B) 6.3 $\phi$ 5mm wooden screw & PDM washer	3
(C) M8 $\phi$ 25mm SUS 304 bolt & rail nut & SUS washer	1
(D) Carriage bolt M10 x 25 & hex nut	1



CK-FTH-073

### Specification



### Adjustable S Tile Mount Series



CK-FTH-09



CK-FTH-09B



CK-FTH-09V



CK-FTH-044



CK-FTH-063V



CK-FTH-064V